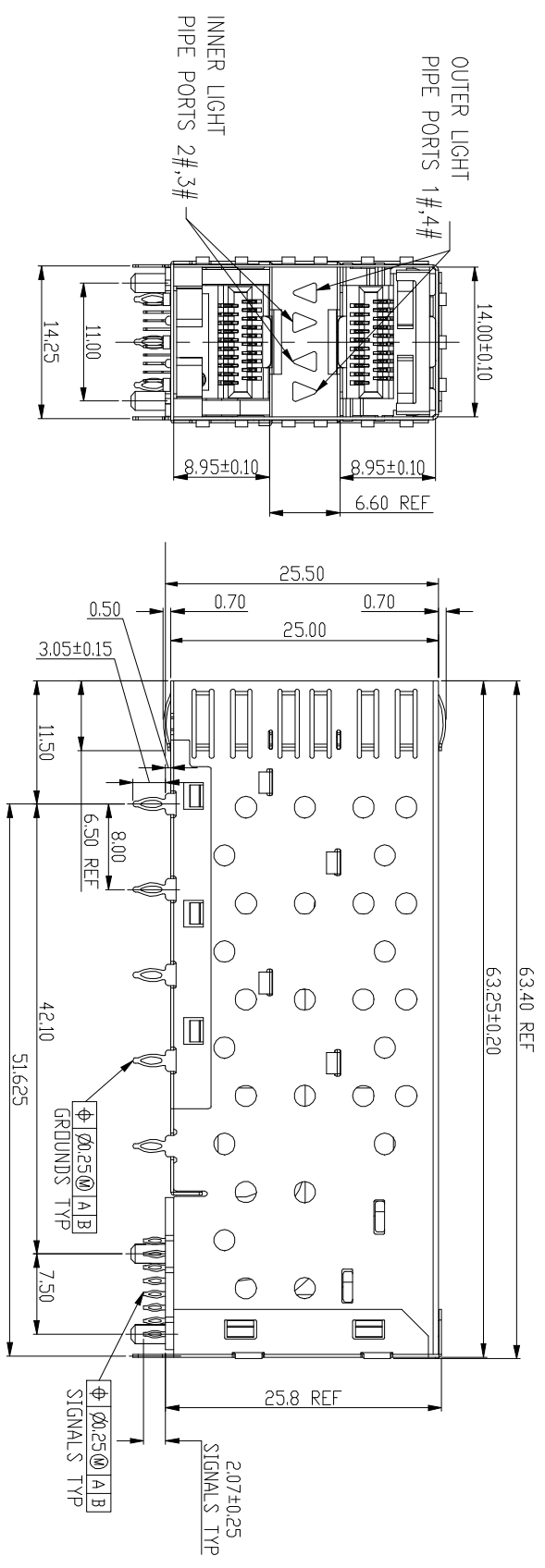


CATEGORY	DESCRIPTION	P/N #
CONNECTOR	<b>SFP 2X1 鱼眼脚压接式</b>	SFP-21-YB1

REV.	ECN NO
A01	

DESCRIPTION	REVISED	DATE
New Release	KELLY	2014.11.12



NOTE:

MECHANICAL:

1. CONTACT: PHOSPHOR BRONZE.
2. CONNECTOR HOUSING: LCP UL 94V-0. COLOR: BLACK.
3. MOULDED INSET: PA46 UL 94V-0. COLOR:BLACK.
4. CAGE: COPPER ALLOY.
5. LIGHT PIPES: POLYCARBONATE. UL 94V-0. COLOR:CLEAR
6. LIGHT PIPE HOUSING: PBT UL 94V-0 COLOR:BLACK.

PLATED:

1. CONTACT MATING AREA : PLATING GOLD OVER 1.27 MICROMETERS MINIMUM NICKEL.
2. CONTACT NEEDLE EYE: 2.54 MICROMETERS MINIMUM MATTE TIN OVER 1.27 MICROMETERS MINIMUM NICKEL.


MECHANICAL REQUIREMENT:

1. DURABILITY: 100 CYCLES MIN.
2. INSERTION AND EXTRACTION FORCE: 40N MAX & 11.5N MAX.

ENVIRONMENTAL:

1. LOW LEVEL CONTACT RESISTANCE(ILLCR): AR 10 MILLIOHMS MAXIMUM FOR SHIELD AND SIGNAL CONTACTS.
2. WITHSTANDING VOLTAGE: 300V AC/MAX.
3. INSULATION RESISTANCE: 1x10<sup>9</sup> OHMS MINIMUM.
4. RATINGS CURRENT: SIGNAL APPLICATION ONLY.
5. RATINGS VOLTAGE: 120 volts AC.
6. OPERATION: -40C~+85C.
7. STORAGE: -55C~+105C.
8. ROHS COMPLIANT.

UNLESS OTHERWISE SPECIFIED TOLERANCES	DECIMALS:	ANGLES:
	X : ±0.5	X : ±2°
	X.X : ±0.3	X.X : ±1'
	X.XX : ±0.2	

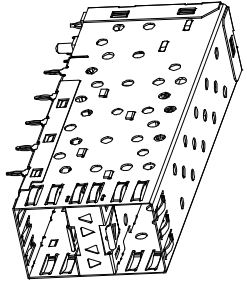

  
**东莞市合陵电子有限公司**  
 Dongguan Heling Electronic Co.,LTD

SCALE: 2/1	UNIT: mm	DWG. NO:
SIZE: A3	PAGE: 1 OF 5	REV: A01
APPROVED BY	CHECKED BY	PREPARED BY
TONY	BILL	KELLY

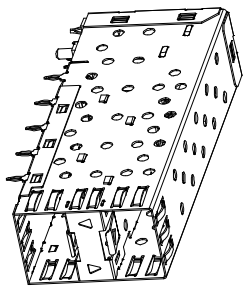
**CUSTOMER COPY**

CATEGORY	DESCRIPTION	P/N #
CONNECTOR	<b>SFP 2X1 鱼眼脚压接式</b>	SFP-21-YB1

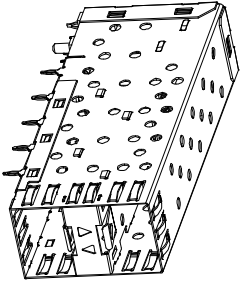
REV.	ECN NO	DESCRIPTION	REVISED	DATE
A01	—	New Release	KELLY	2014.11.12



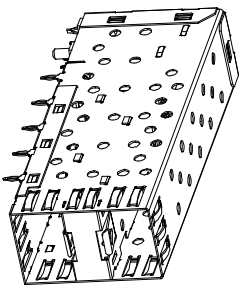
WITH INNER/DUTER LIGHT PIPES



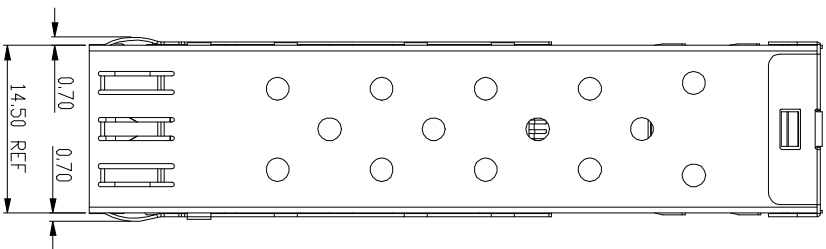
WITH DUTER LIGHT PIPES



WITH INNER LIGHT PIPES



WITHOUT LIGHT PIPES

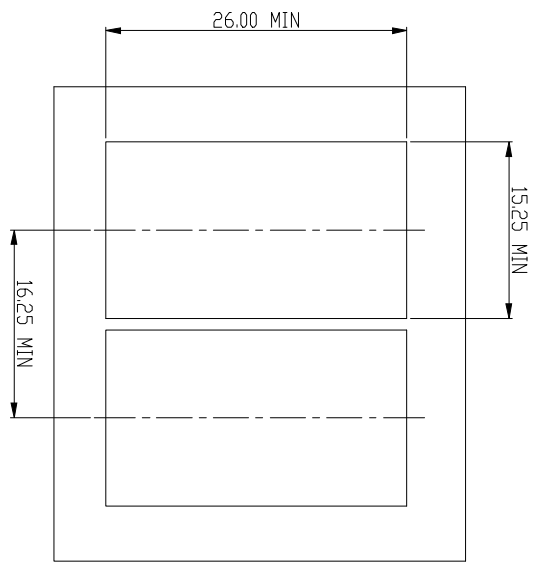


UNLESS OTHERWISE SPECIFIED TOLERANCES	
DECIMALS:	ANGLES:
X : ±0.5	X : ±2°
X.X : ±0.3	X.X : ±1°
X.XX : ±0.2	

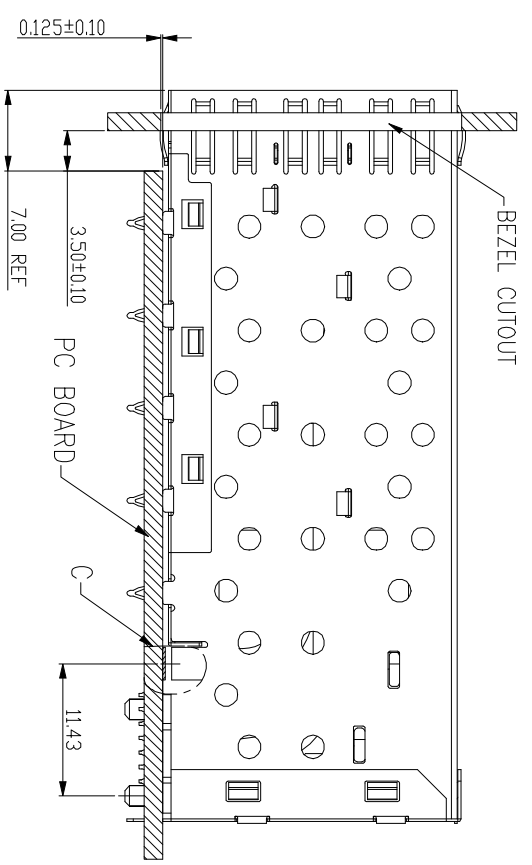
<b>东莞市合陵电子有限公司</b> Dongguan Heling Electronic Co.,LTD		
SCALE: 2/1	UNIT: mm	DWG. NO:
SIZE: A3	PAGE: 2 OF 5	REV: A01
APPROVED BY	CHECKED BY	PREPARED BY
TONY	BILL	KELLY
<b>CUSTOMER COPY</b>		

CATEGORY	DESCRIPTION	P/N #
CONNECTOR	<b>SFP 2X1 鱼眼脚压接式</b>	SFP-21-YB1

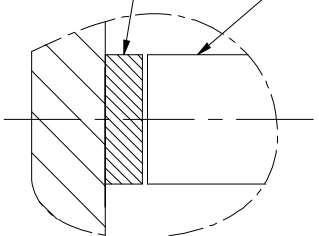
REV.	ECN NO	DESCRIPTION	REVISED	DATE
A01		New Release	KELLY	2014.11.12



BEZEL CUT-OUT CENTER SPACING DETAIL  
BEZEL THICKNESS:0.8-2.6




LIGHT PIPE  
LED PROFILE(0603)  
HEIGHT:0.60~0.80MM  
VIEW ANGLE:≤120°



DETAIL C  
SCALE 4:1

UNLESS OTHERWISE SPECIFIED TOLERANCES	
DECIMALS:	ANGLES:
X : ±0.5	X : ±2°
X.X : ±0.3	X.X : ±1'
X.XX : ±0.2	

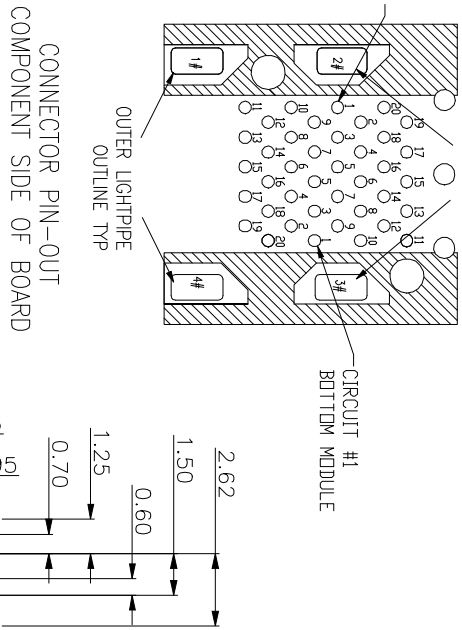
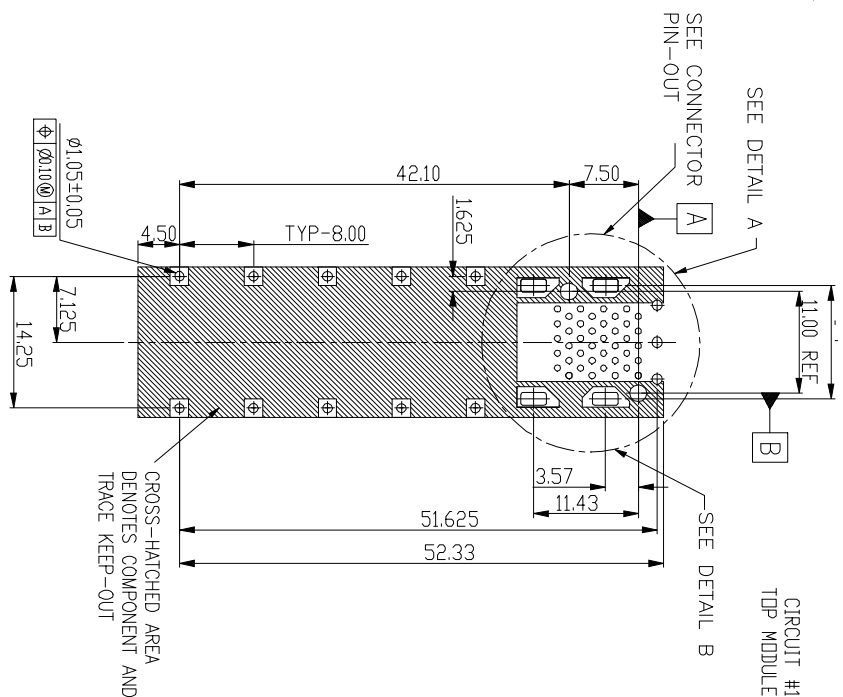
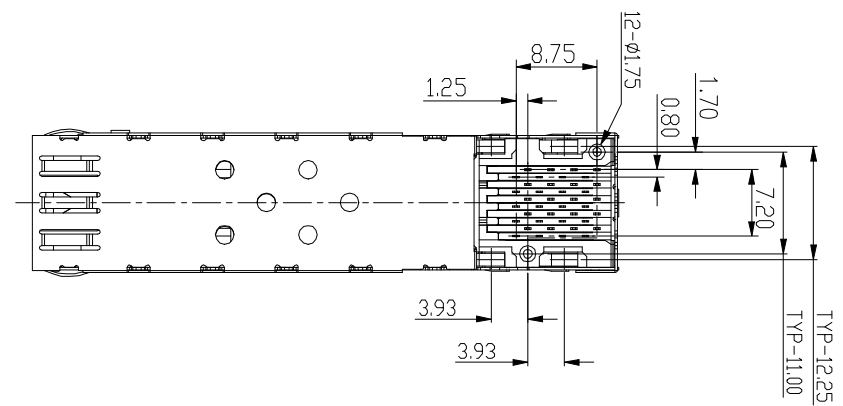
  
**东莞市合陵电子有限公司**  
 Dongguan Heling Electronic Co.,LTD  
 Connector

SCALE:2/1	UNIT: mm	DWG.NO:
SIZE: A3	PAGE:3 OF 5	REV:A01
APPROVED BY	CHECKED BY	PREPARED BY
TONY	BILL	KELLY

**CUSTOMER COPY**

CATEGORY	DESCRIPTION	P/N #
CONNECTOR	<b>SFP 2X1 鱼眼脚压接式</b>	SFP-21-YB1

REV.	ECN NO	DESCRIPTION	REVISED	DATE
A01		New Release	KELLY	2014.11.12




RECOMMENDED PC BOARD LAYOUT  
AS VIEWED FROM COMPONENT SIDE  
TOLERANCE ±0.05mm

DETAIL B  
SCALE 6:1

UNLESS OTHERWISE SPECIFIED TOLERANCES

DECIMALS: X :±0.5 X :±2° X.X :±0.3 X.X :±1' X.XX :±0.2

ANGLES: X :±2° X.X :±1' X.XX :±0.2



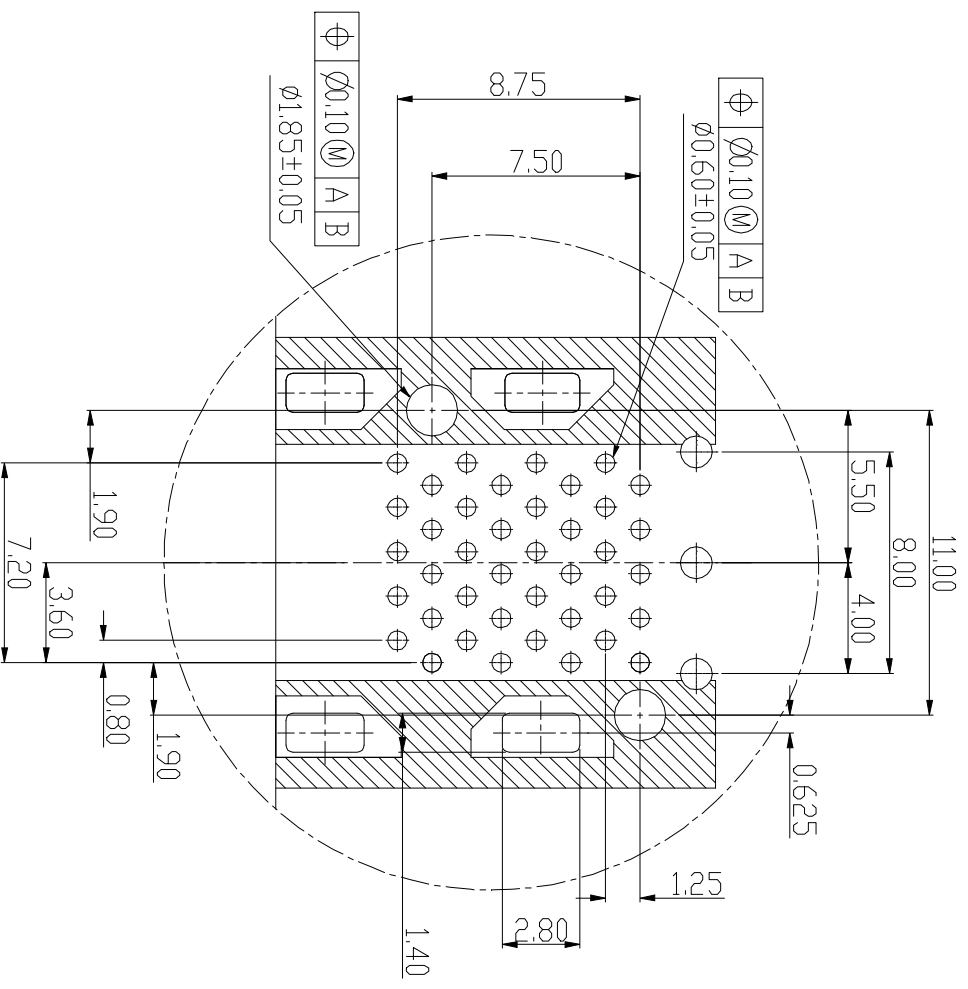
**东莞市合陵电子有限公司**  
Dongguan Heling Electronic Co., LTD

SCALE: 2/1	UNIT: mm	DWG. NO:
SIZE: A3	PAGE: 4 OF 5	REV: A01
APPROVED BY	CHECKED BY	PREPARED BY
TONY	BILL	KELLY


**CUSTOMER COPY**

CATEGORY	DESCRIPTION	P/N #
CONNECTOR	<b>SFP 2X1 鱼眼脚压接式</b>	SFP-21-YB1

REV.	ECN NO	DESCRIPTION	REVISED	DATE
A01	—	New Release	KELLY	2014.11.12



DETAIL A  
SCALE 6:1

 <b>东莞市合陵电子有限公司</b> Dongguan Heling Electronic Co., LTD Connector		SCALE: 2/1	UNIT: mm	DWG. NO:
UNLESS OTHERWISE SPECIFIED TOLERANCES	DECIMALS:	ANGLES:	SIZE: A3	PAGE: 5 OF 5
	X : ±0.5	X : ±2°	REV: A01	
	X.X : ±0.3	X.X : ±1°	APPROVED BY	CHECKED BY
	X.XX : ±0.2		TONY	BILL
			PREPARED BY	
			KELLY	
			CUSTOMER COPY	